



Comfort air curtain

Li-mini

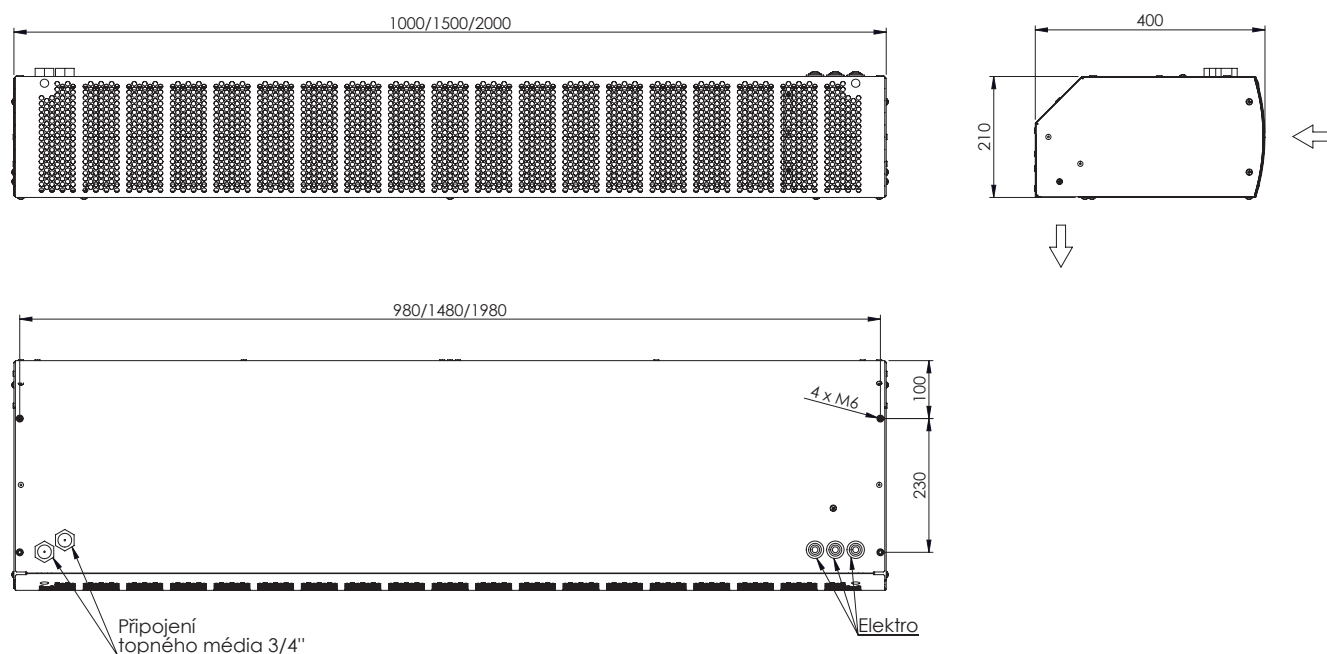


www.stavoklima.eu

Description

Li mini air curtain Standardized dimension range, simple & functional design make Li mini the ideal solution for individual shops in large shopping galleries, boutiques, restaurants, banks and hotels. Li mini air curtain is designed for wall or ceiling mounting. Competitive price, fast & easy installation, silent operation and high build quality including the maintenance-free fans, are its strong points.

Every unit is equipped with directable louvre for optimal setting of air flow vector. Wide range of accessories complements the unit, including thermostatic valves, outlet temperature sensors, electrical heating elements with integrated delay timer and overheating protection. Water heated units, electrical heating units and ambient variants are available. The default paint is RAL 9010.



Air curtain length		Li mini 100 S	Li mini 150 S	Li mini 200 S	Li mini 100 W	Li mini 150 W	Li mini 200 W	Li mini 100 E7,5	Li mini 100 E9	Li mini 150 E10	Li mini 150 E12,5	Li mini 200 E12,5	Li mini 200 E15
Air volume	mm	1000	1500	2000	1000	1500	2000	1000	1000	1500	1500	2000	2000
Vzduchový výkon	m ³ /h	1420	2150	2950	1380	2100	2820	1390	1390	2125	2125	2850	2850
Heating capacity 80/60°C*	kW	-	-	-	9,2	14,7	20,5	-	-	-	-	-	-
	kPa	-	-	-	7,8	3,2	4,2	-	-	-	-	-	-
	m ³ /h	-	-	-	360	612	864	-	-	-	-	-	-
	Tout °C	-	-	-	37,6	38,6	39,4	-	-	-	-	-	-
Heating capacity 60/40°C*	kW	-	-	-	5,2	8,2	11,6	-	-	-	-	-	-
	kPa	-	-	-	3	1,2	1,6	-	-	-	-	-	-
	m ³ /h	-	-	-	216	324	468	-	-	-	-	-	-
	Tout °C	-	-	-	29	29,5	28,4	-	-	-	-	-	-
Heating capacity	kW	-	-	-	-	-	-	7,5	9	10	12,5	12,5	15
Heating levels		-	-	-	-	-	-	2	2	2	2	2	2
Voltage	V	230V	230V	230V	230V	230V	230V	400V	400V	400V	400V	400V	400V
Power input	W	340	510	680	340	510	680	340	340	510	510	680	680
Current	A	1,5	2,25	3	1,5	2,25	3	1,5	1,5	2,25	2,25	3	3
Protection class	IP	20	20	20	20	20	20	20	20	20	20	20	20
Controller type		Econ	Econ	Econ	Econ	Econ	Econ	Econ	Econ	Econ	Econ	Econ	Econ
Weight	kg	25	35	45	35	45	55	30	28	40	42	50	55

*) ambient temperature 18°C

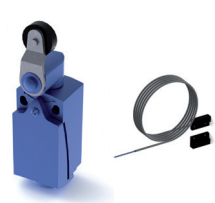
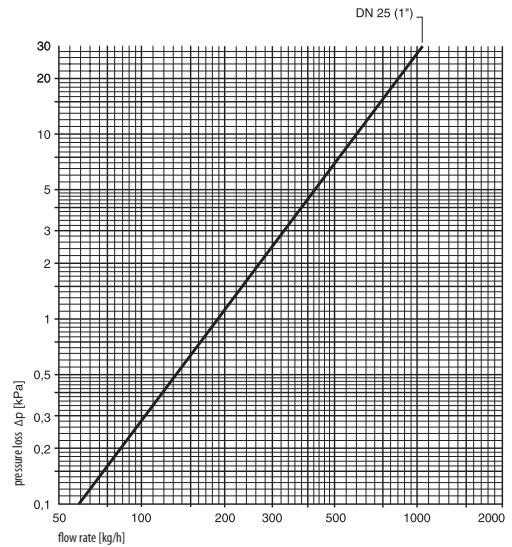
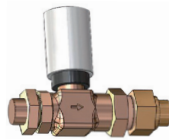
Description

Li mini accessories

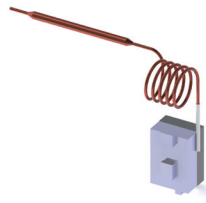
Valve: Based on customer's needs the unit can be fitted with 2-way valve. Control head of the valve can be either automatic (thermostatic) or electrothermic. Electrothermic head of the valve along with the thermostat must be connected to the unit's motherboard located inside the unit. All valves are delivered separately – uninbuilt, due to space reasons.

2-way valve	$k_{v,0.05}^{**}$ value	allowed operating temperature [°C]	allowed operating pressure [bar]	allowed pressure difference [bar]
DN 25 (1")	2,5	120	10	0,25

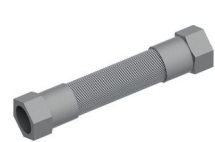
* for DN25 is [K] 3.0



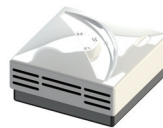
Door contact: 24 V, DKM or DKMG
DKM – mechanical door contact.
DKMG – magnetic door contact.



Outlet thermostat:
230 V, mounted inside the unit, the capillary is placed on the outlet, the thermostat is delivered separately.



PPH 3/4":
flexible pressure tubes with stainless or reinforced sleeve for easy & comfortable connection of the water heat exchanger with a female thread, set of 2 pieces, length 300mm, DN 20.



Room thermostat: 230 V, wall mounting, TP1 or TP2 model with a switch, delivered separately.

Controller: Econ

Controller description: Econ controller is designed for fan speed and heating regulation (water as well as electric heated units) with connectivity to wide range of external devices (door contact, room or outlet thermostat), units with electric heat exchangers are equipped with overheating protection with an automatic fan delay.



Dimensions: 71 x 71 x 25

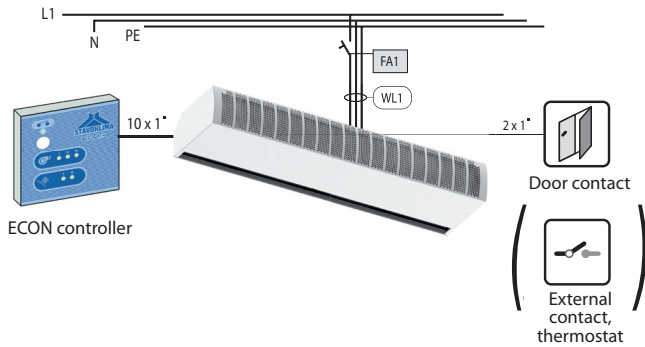
The controller is designed for surface mounting only, IP 20

ECON controller functions

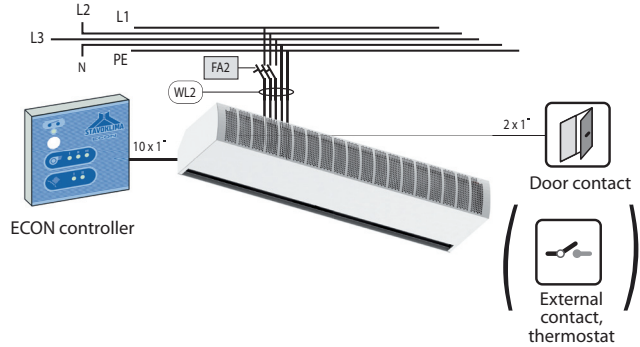
	potential-free door contact incl. adjustable delay	standard		compact dimensions, wall mounting, ergonomical design	standard
	processor control of the unit against overheating	standard		electrothermic valve control	standard
	room thermostat, external remote contact	standard		Master/Slave chaining possibility	only with Econ DUAL controller

Diagram, Order key

Water heated & ambient air curtains – diagram



Electric air curtains – diagram



Order key:

Li mini – 100 – E

100; 150; 200
 100 - unit length 1000mm
 150 - unit length 1500mm
 200 - unit length 2000mm

- S - ambient unit without heat exchanger
- W - heat exchanger 80/60°C alternatively 60/40°C
- E 7,5 - electric heater 400V - 7,5kW; unit length 1000mm
- E 9 - electric heater 400V - 9kW; unit length 1000mm
- E 10 - electric heater 400V - 10kW; unit length 1500mm
- E 12,5 - electric heater 400V - 12,5kW; unit length 1500 and 2000mm
- E 15 - electric heater 400V - 15kW; unit length 2000 mm

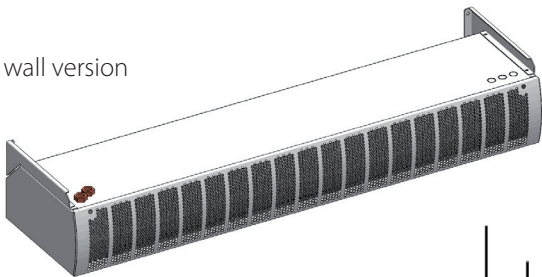
Table of cables and protection for water heated models

FA1	1 X 10A/C	WL1	3Cx 1,5 (2,5)
FA2	see table EO	WL2	see table EO

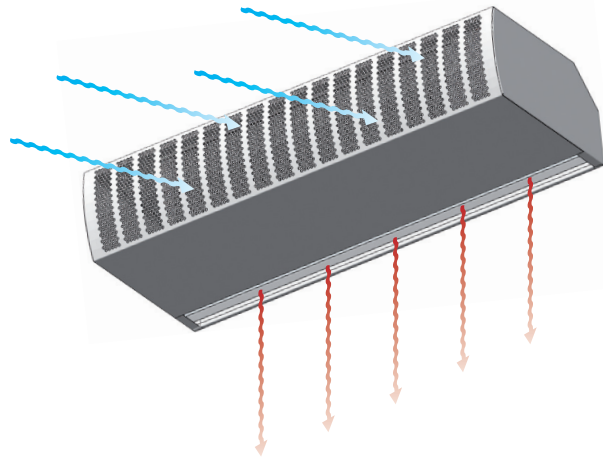
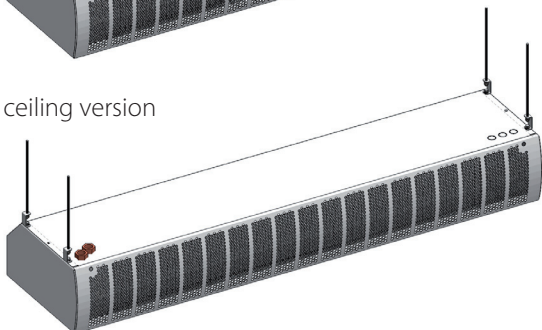
Table of cables and protection for electric heated models

	electric heater	cable (WL2)	Circuit breaker (FA2)
Air Curtain 100	7,5 kW	5Cx4	3x16A/B
	9 kW	5Cx4	3x16A/B
Air Curtain 150	10 kW	5Cx6	3x25A/B
	12,5 kW	5Cx6	3x25A/B
Air Curtain 200	12,5 kW	5Cx6	3x25A/B
	15 kW	5Cx4	3x16A/B

wall version



ceiling version



Representative: